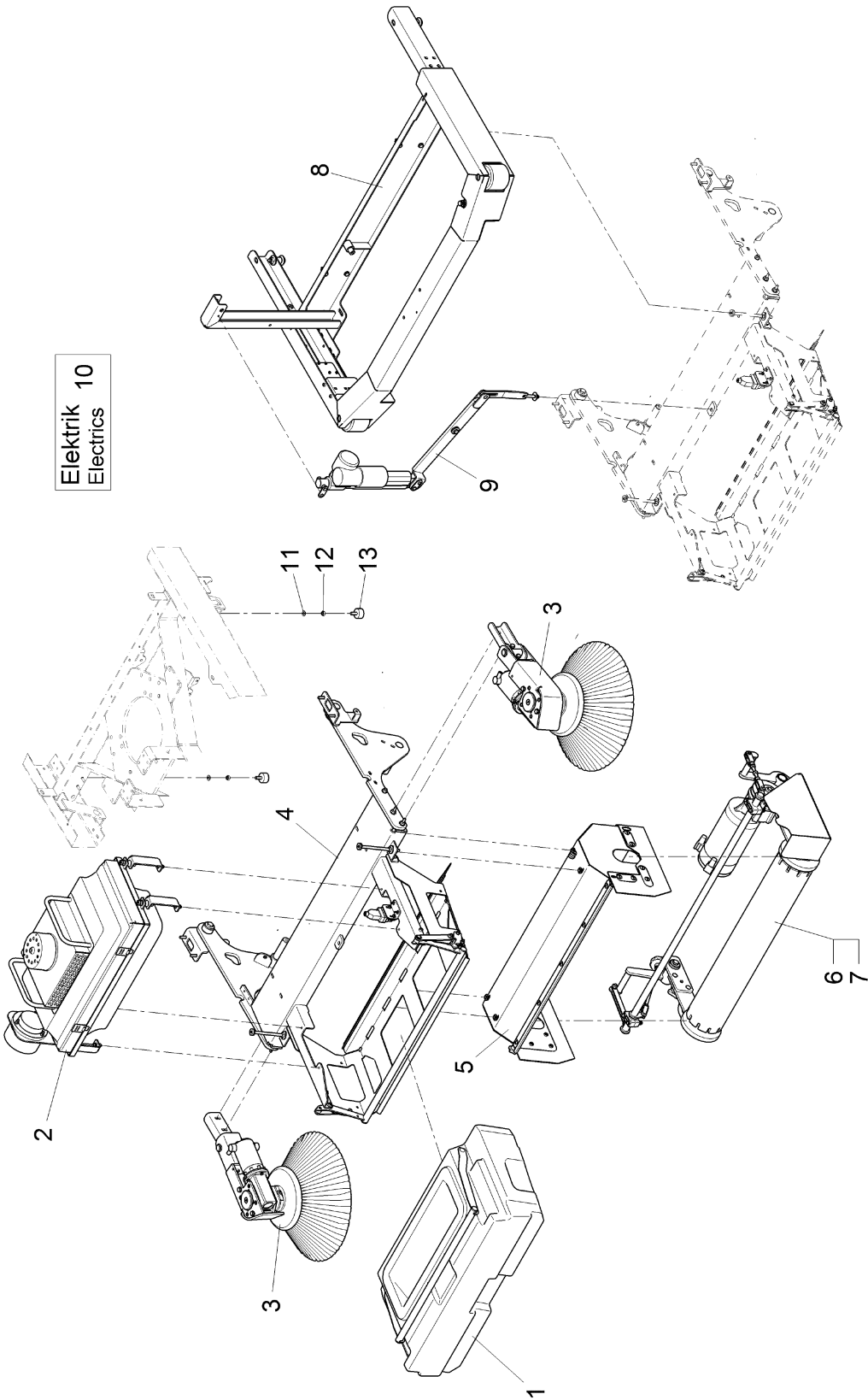


Pre-sweep unit (PSU) (97126106)



Pos.	Part No.	Material number	Description	Qty.	Unit	Remarks
1	97125660		Litter hopper			Not available! Pos. has sub-assemblies! Please take double click on pos.no.!
2	97125686		Filter installation - Vibrator system			Not available! Pos. has sub-assemblies! Please take double click on pos.no.!
3	97071187-97071195		Side brush installation (L.H. and R.H.)			Not available! Pos. has sub-assemblies! Please take double click on pos.no.!
4	97123368		Frame cpl.			Not available! Pos. has sub-assemblies! Please take double click on pos.no.!
5	97043145		Broom tunnel			Not available! Pos. has sub-assemblies! Please take double click on pos.no.!
6	97126114-1		Sweeper roller with drive, part 1			Not available! Pos. has sub-assemblies! Please take double click on pos.no.!
7	97126114-2		Sweeper roller with drive, part 2			Not available! Pos. has sub-assemblies! Please take double click on pos.no.!
8	97123376		Base frame			Not available! Pos. has sub-assemblies! Please take double click on pos.no.!
9	97043129		Lifting cpl.			Not available! Pos. has sub-assemblies! Please take double click on pos.no.!
10	97049092		Electric Pre-sweep-attachment			Not available! Pos. has sub-assemblies! Please take double click on pos.no.!
11	00053750	12310041	Washer	2	PC	
12	00053350	12022059	Hex. Nut	2	PC	
13	00538440	90221730	Buffer	2	PC	